

Preparation unit—A, B Series

AL, BL Series Lubricator



Symbol



Product feature

1. The structure is delicate and compact.
2. The quantity of oil dripping can be directly observed through transparent inspection sheet.
3. BL has high-strength plastic shields, which is more safe and reliable to use.
4. The pressure loss and the flow of miststart is low.

Specification

Model	AL1500	AL2000	BL2000	BL3000	BL4000
Fluid	Air				
Port size [Note1]	1/8"	1/4"	1/4"	3/8"	1/2"
Pressure range	0.05~1.0MPa(7~145Psi)				
Proof pressure	1.5MPa(215Psi)				
Temperature range	-5~70°C(unfreeze)				
Capacity of oil bowl	25CC			90CC	
Recommended lubricant	ISO VG 32 or equivalent				
Weight	170g			250g	

[Note1] PT thread, G thread and NPT thread are available.

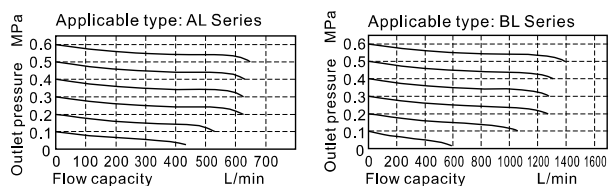
Ordering code

AL 2000 □

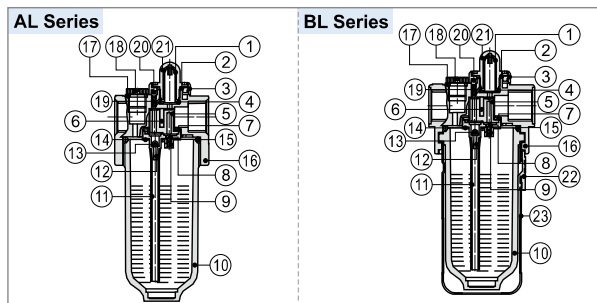
① ② ③

① Model	② Port size	③ Thread type
AL : A Series Lubricator	1500: 1/8" 2000: 1/4"	Blank: PT G: G T: NPT
BL : B Series Lubricator	2000: 1/4" 3000: 3/8" 4000: 1/2"	

Flow chart



Inner structure



No.	Item	Material	No.	Item	Material
1	Drip pipe	PC	13	Ball	Stainless steel
2	Dripper O-ring	NBR	14	Lubricator fixed plate	SPCC
3	Oil adjusting dial	POM	15	Oil bowl O-ring	NBR
4	Adjusting ring	NBR	16	Body	Aluminum alloy
5	Lubricator seat	POM	17	Oil filling nut O-ring	NBR
6	Partition	PU	18	Oil filling plug	Steel
7	Lubricator kit gasket	NBR	19	Needle spring	Stainless steel
8	Adjustor	HDPE	20	Injector pin	Bronze
9	Return spring	Stainless steel	21	Check-dome	PC
10	Oil bowl	PC	22	Bowl guard switch	POM
11	Sunk tube	PU	23	Bowl guard	PA66
12	Lubricator kit	POM			

Dimensions

