

# Preparation unit—GP Series

## GPF Series Oil mist filter



### Specification

Model	GPF20006	GPF20008	GPF30008	GPF30010	GPF40010	GPF40015
Fluid	Air					
Port size [Note 1]	1/8"	1/4"	1/4"	3/8"	3/8"	1/2"
Filtering grade	M					
	D					
Pressure range	0.15~1.0MPa(20~145psi)					
Proof pressure	1.5MPa(215psi)					
Temperature range	-5~70°C(Unfreeze)					
Rated flow capacity [2]	M		450L/min		1100L/min	
	D		240L/min		600L/min	
Bowl Material	Polycarbonate, Nylon, Metal					
Capacity of drain bowl	19CC		54.5CC		89CC	
Weight	PC bowl		207g		356g	
	Metallic bowl		238g		397g	
			620g			

[Note1] PT thread, G thread and NPT thread are available.

[Note2] Conditions: inlet pressure 0.7MPa, outlet pressure 0.5MPa. The rated flow varies with the inlet pressure. If the flow exceeds the rated flow, oil will flow to the secondary side. Please note.

### Symbol



### Product feature

1. Low pressure drop, high oil mist remove efficiency up to 99% and large drain bowl.
2. 0.3µm and 0.01µm filtering grade are available.
3. Two drain types are available: manual and semi-auto drain, and automatic drain.
4. To meet the needs of different environment the bowl material has Poly Carbonate, nylon and metal can be selected.
5. Monomeric products can select the bracket for installation, others can be used with F.R.L Combination.

### Ordering code

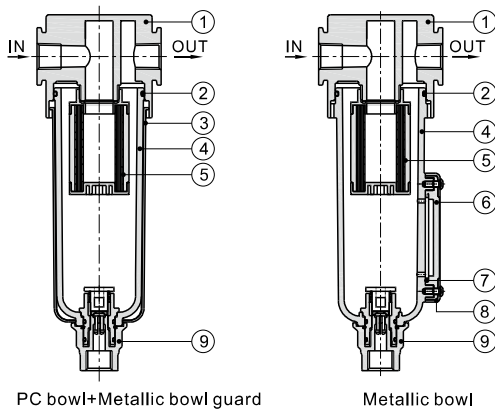
GPF300 □ 08 □ □ M G

① ② ③ ④ ⑤ ⑥ ⑦

① Model	② Bowl Material	③ Port size	④ Drain type	⑤ Accessories	⑥ Filtering grade	⑦ Thread type
GPF200: 200 Series Oil mist filter	Blank: PC bowl+Metallic bowl guard	06: 1/8" 08: 1/4"	Blank: Manual and Semi-auto drain A: Automatic drain	Blank: Bracket J: No bracket	M: 0.3µm D: 0.01µm	Blank: PT G: G T: NPT
GPF300: 300 Series Oil mist filter	C: Metallic bowl	08: 1/4" 10: 3/8"				
GPF400: 400 Series Oil mist filter	N: Nylon bowl+Metallic bowl guard	10: 3/8" 15: 1/2"				

### Innerstructure

GPF300



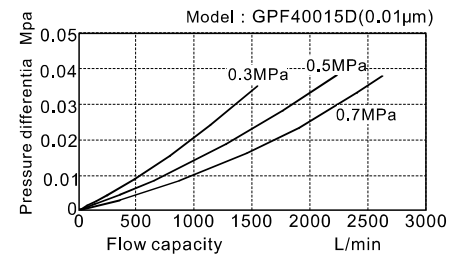
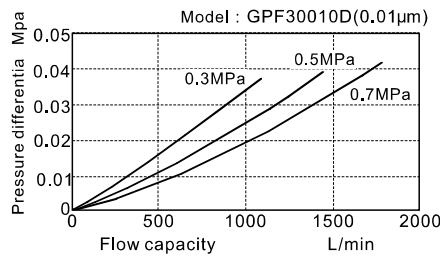
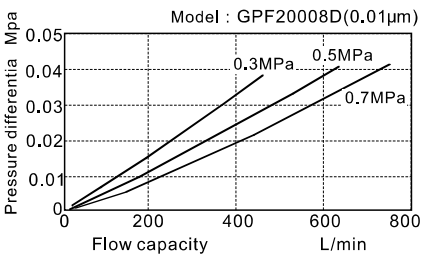
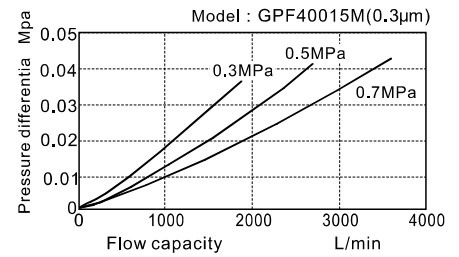
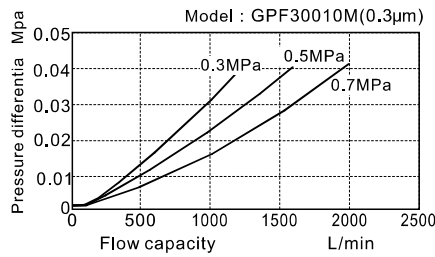
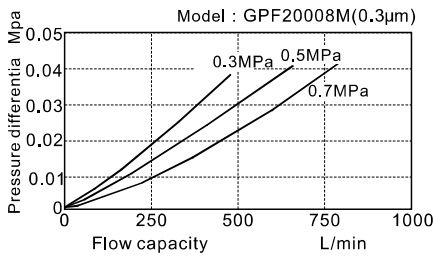
No.	Item	Material
1	Body	Aluminium alloy
2	O-ring	NBR
3	Meter cover	SPCC
4	Drain bowl	PC\nylon\aluminium alloy
5	Filter core	Polymer materials
6	Liquid meter inside cover	PC
7	Liquid meter seal	NBR
8	Liquid meter cover	SPCC
9	Drain connection	Plastic



# Preparation unit—GP Series

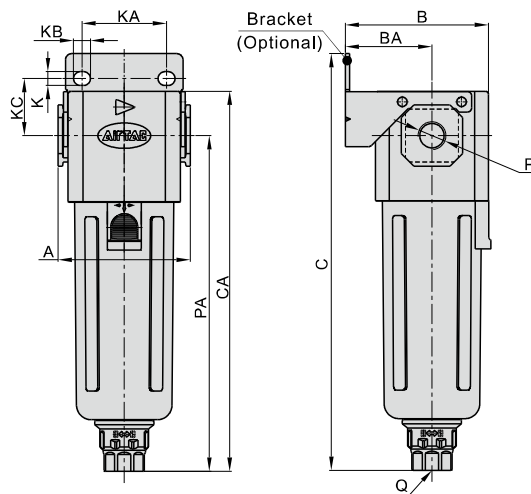
## GPF Series Oil mist filter

### Flow chart

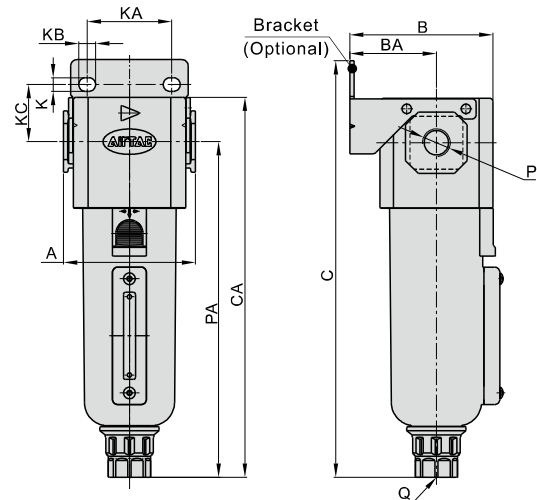


### Dimensions

#### PC bowl+Metallic bowl guard



#### Metallic bowl



Model/Item	A	B	BA	C	CA	K	KA	KB	KC	P	PA	Q
GPF200(C/N)06	52.5	54.5	33	150	137	5.4	27	8.4	23	1/8"	120	M5X0.8
GPF200(C/N)08	52.5	54.5	33	150	137	5.4	27	8.4	23	1/4"	120	M5X0.8
GPF300(C/N)08	62.5	67.5	41	197	179	6.5	40	8	27	1/4"	158	G1/4
GPF300(C/N)10	62.5	67.5	41	197	179	6.5	40	8	27	3/8"	158	G1/4
GPF400(C/N)10	80	84	50	220	202.5	8.5	55	11	33.5	3/8"	177.5	G1/4
GPF400(C/N)15	80	84	50	220	202.5	8.5	55	11	33.5	1/2"	177.5	G1/4