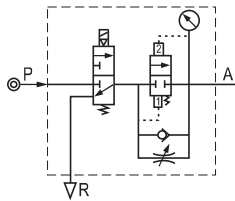


## GV Series soft-start valve



GV

### Symbol

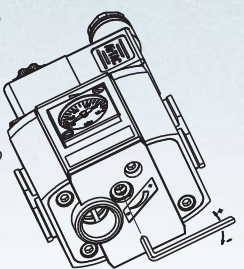


### Product feature

Soft start-up valve is used to input compressed air into pneumatic system slowly and has the effect of safety and protection. Air intake is connected with the input P of Soft start-up valve. If coil is energized, the 3/2 way valve opens. At this time, a little air comes to output A through throttle valve, which increases the pressure of the system gradually; when the output pressure is equal the half of the input pressure, Soft start-up valve completely opens and the flow at this time reaches the highest value of itself. When the coil is de-energized, air intake P closes, the air returns to R orifice through reflux valve and is quickly exhausted. The pressure of the system falls to zero, which protects the whole system.

### Attention

Manually adjust the "+" and "-" throttle screw at the bottom of the soft start-up valve as per the requirement of start speed. It shall go slowly, otherwise sudden acting of the product or system shall be caused with a heavy impact.



### Specification

Model	GV200-06	GV200-08	GV300-08	GV300-10	GV300-15	GV400-10	GV400-15
Fluid	Air						
Port size	1/8"	1/4"	1/4"	3/8"	1/2"	3/8"	1/2"
Pressure range	0.25~0.9MPa(35~130psi)						
Proof pressure	1.5MPa(215psi)						
Temperature range	-20~70°C						
Acting type	Solenoid control						
Exhaust port size	1/4"		3/8"			1/2"	
Power connection	Terminal, Grommet						
Standard voltage	AC220V, 110V, 24V(50/60Hz); DC12V, 24V						
Voltage range	-15%~+10%						
Insulation	Class B						
Power consumption	AC: 3.5VA; DC: 2.5W						
Option pressure gauge	F: Square pressure gauge; C: Circular pressure gauge						
Suitable F.R.L type	GC200-06	GC200-08	GC300-08	GC300-10	GC300-15	GC400-10	GC400-15

① PT thread, G thread and NPT thread are available.

### Ordering code

GV300 10 □ □ F 1 A □ □

**Model**  
 GV200: 200 Series soft start-up valve  
 GV300: 300 Series soft start-up valve  
 GV400: 400 Series soft start-up valve

Model	Port size
200 Series	06: 1/8"
	08: 1/4"
300 Series	08: 1/4"
	10: 3/8"
400 Series	10: 3/8"
	15: 1/2"

**Accessories**  
 Blank: Bracket  
 J: No bracket (standard configuration)

**Pressure gauge**  
 Blank: Pressure gauge  
 N: No pressure gauge

**Thread type**  
 Blank: PT  
 G: G  
 T: NPT

**Electrical entry**  
 Blank: Terminal  
 I: Grommet

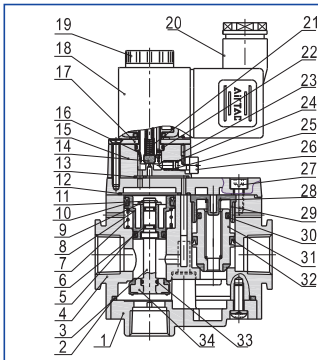
**Voltage**  
 A: AC220V(50/60Hz)  
 B: DC24V  
 C: AC110V(50/60Hz)  
 E: AC24V(50/60Hz)  
 F: DC12V

**Scale**  
 1: MPa  
 2: psi  
 3: bar

**Pressure gauge shape**  
 F: Square  
 C: Circular

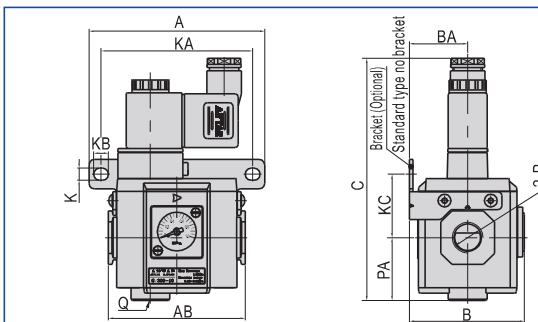
Note: When it is used with F.R.L. combination, extra mounting bracket is need. Please refer to P150 for order detail.

### Inner structure



No.	Item	No.	Item	No.	Item
1	Bottom cover	13	Gasket	25	Spring
2	Gasket	14	Gasket	26	Manual override
3	Spool	15	Pilot kit	27	Fixed screw
4	Body	16	spring	28	Spring
5	O-ring	17	Fixed Ipate	29	Valve spool
6	O-ring	18	Coil set	30	O-ring
7	Spring	19	Nut	31	Valve spool
8	Inlet piston	20	Connector	32	O-ring
9	Piston gasket	21	Spring	33	O-ring
10	O-ring	22	O-ring	34	Inlet plug
11	Snap ring	23	Manual override block		
12	Gasket	24	O-ring		

### Dimensions



Item\Model	GV200		GV300		GV400		
	06	08	08	10	15	10	15
A	80	95	120	120			
AB	59	74	90				
B	57	62.2	80				
BA	24.5	31.5	40.5				
C	123.5	131	142.5				
K	5.5	6.5	8.5				
KA	67	82	102				
KB	8	8	11				
KC	30.5	34.5	39				
P	1/8"	1/4"	1/4"	3/8"	1/2"	3/8"	1/2"
PA	30	34	40.5				
Q	1/4"	3/8"	1/2"				